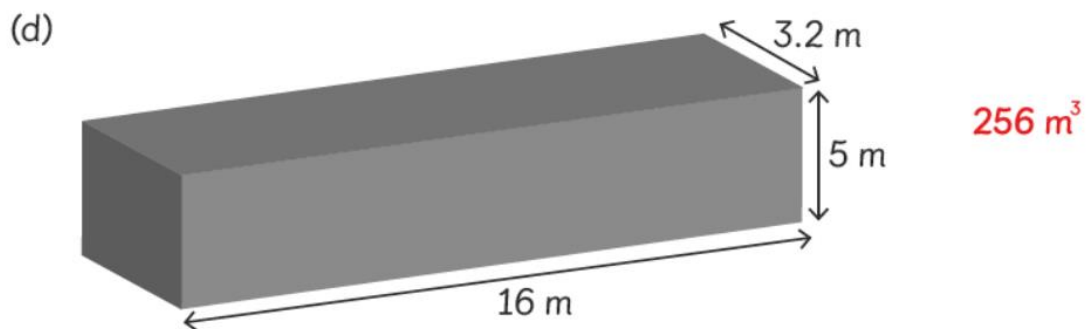
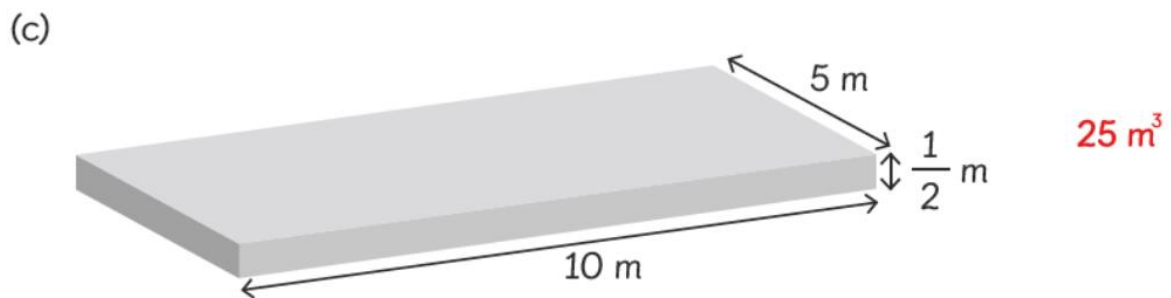
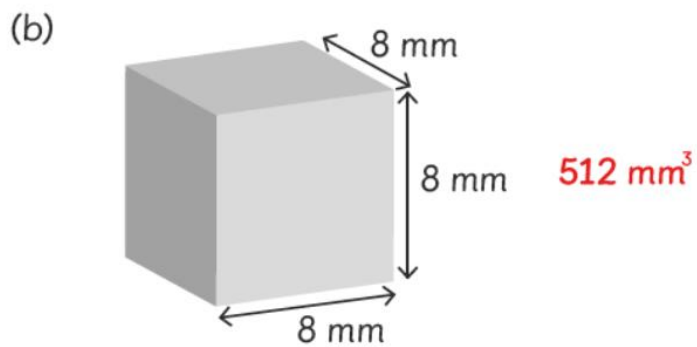
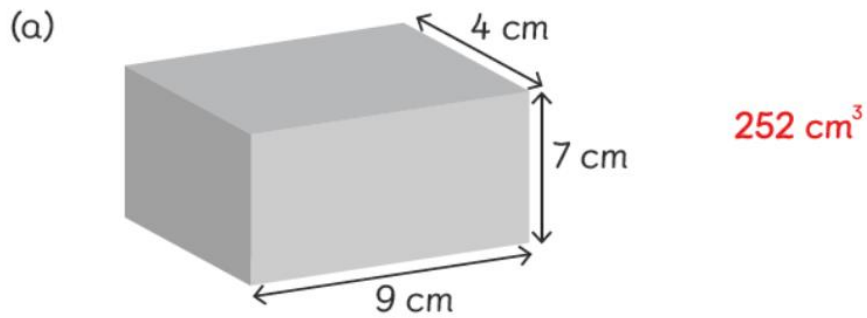
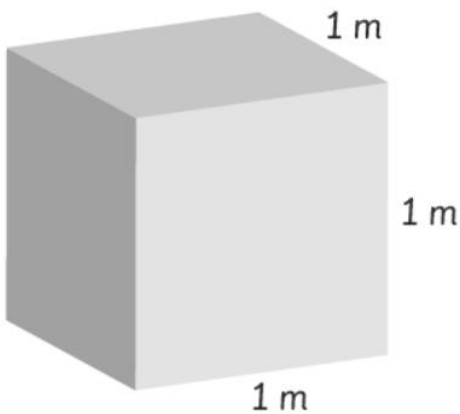


## Review 11

1 Find the volume of each cuboid.



- 2 At a factory, a 1-metre cube of sponge is cut into smaller cubes with 8-cm sides. What is the greatest number of smaller cubes that can be cut from the large sponge cube?



$$100 \div 8 = 12.5$$
$$12 \times 12 \times 12 = 1728 \text{ smaller cubes}$$

- 3 Find the largest number of 3-cm cubes that can be fitted into the box shown below.

$$36 \div 3 = 12$$
$$20 \div 3 = 6.67$$
$$50 \div 3 = 16.67$$

$$12 \times 6 \times 16 = 1152 \text{ cubes}$$

