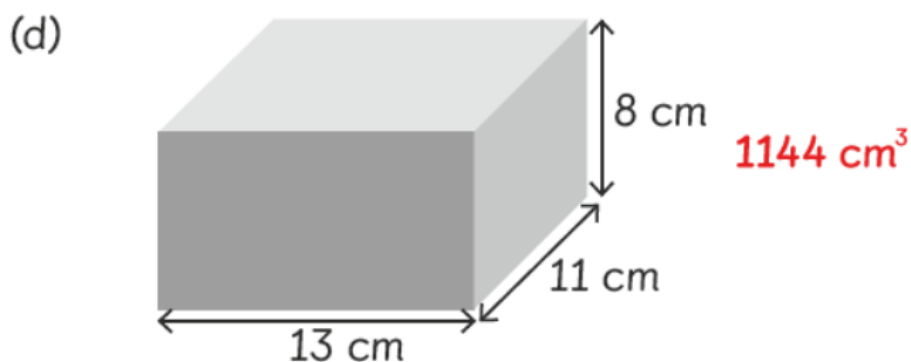
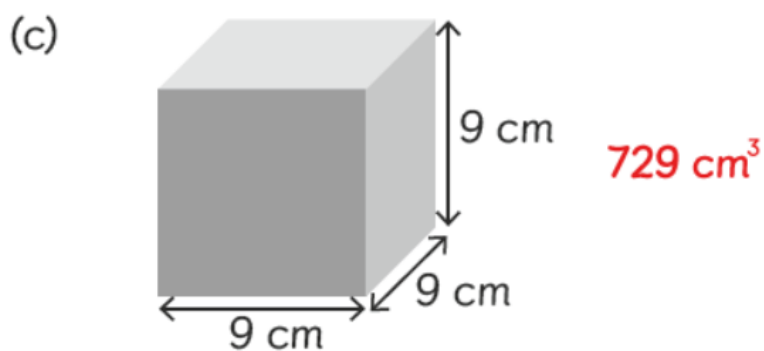
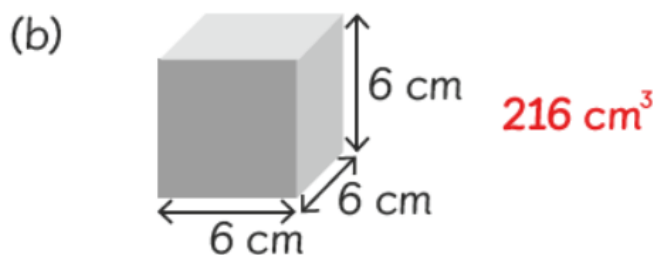
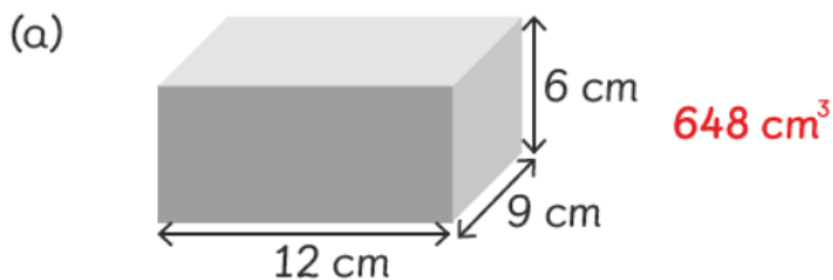


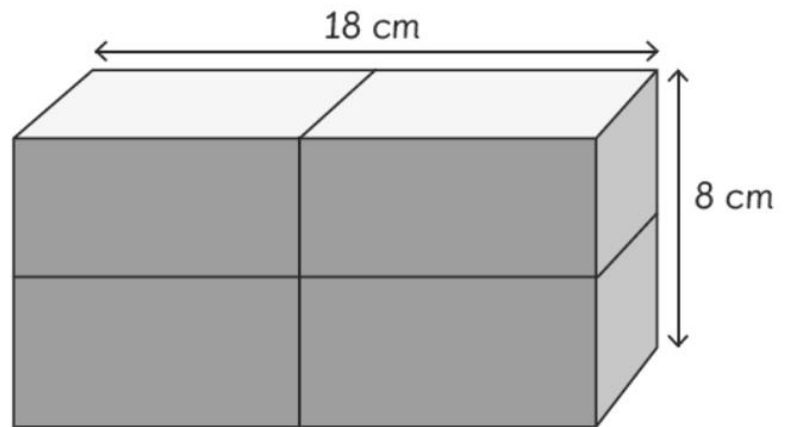
Worksheet 2

Finding the Volume of Cubes and Cuboids

1 Find the volume of each cuboid.



- 2 Four cuboid bricks are stacked as shown. Each brick has two square faces. Find the volume of each brick.



Answer 1: $4 \times 4 \times 9 = 144 \text{ cm}^3$

or

Answer 2: $9 \times 9 \times 4 = 324 \text{ cm}^3$