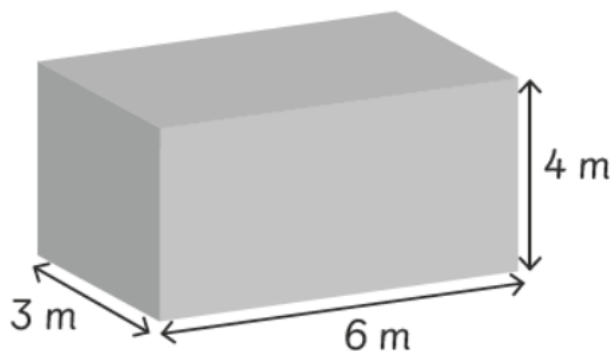


Worksheet 3

Finding the Volume of Cubes and Cuboids

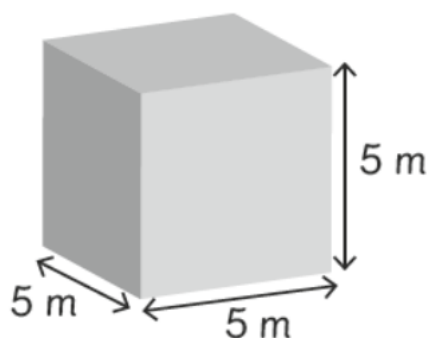
1 Find the volume of each cuboid.

(a)



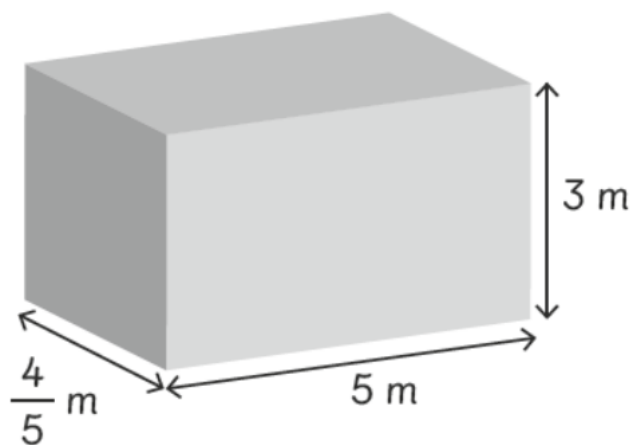
72 m^3

(b)



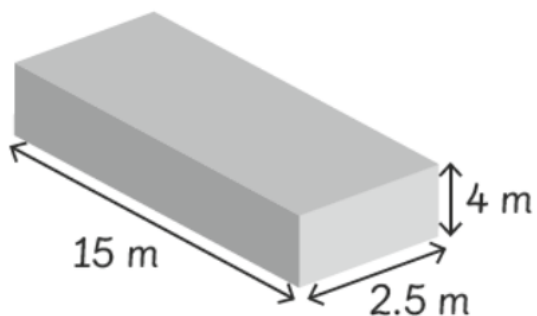
125 m^3

(c)



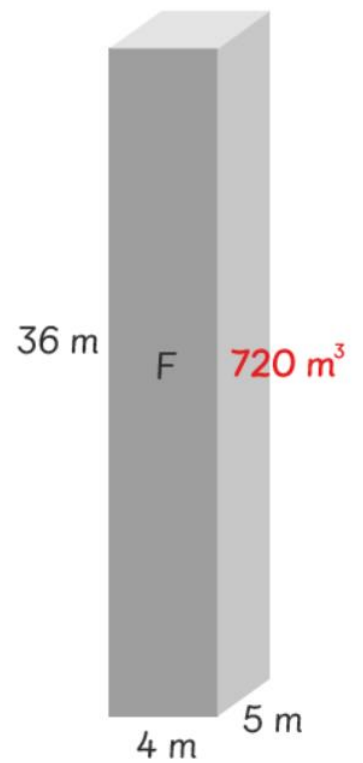
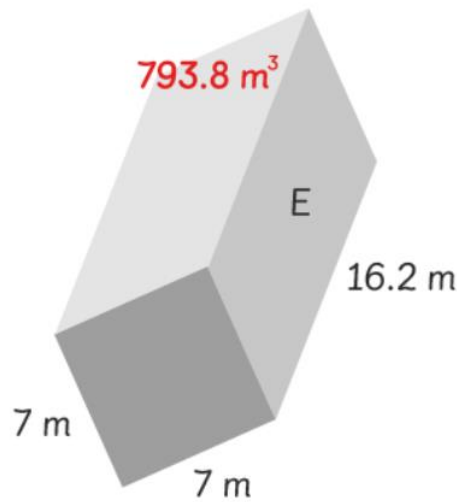
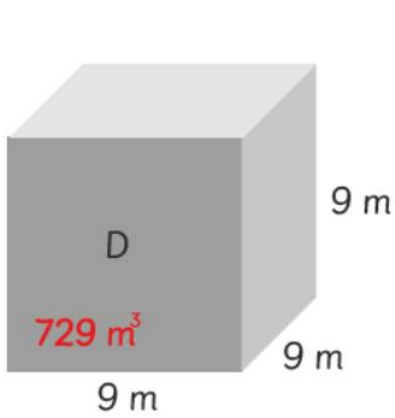
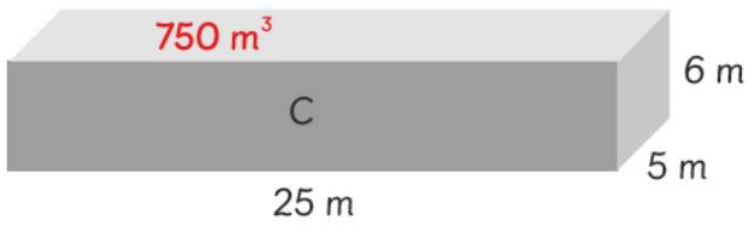
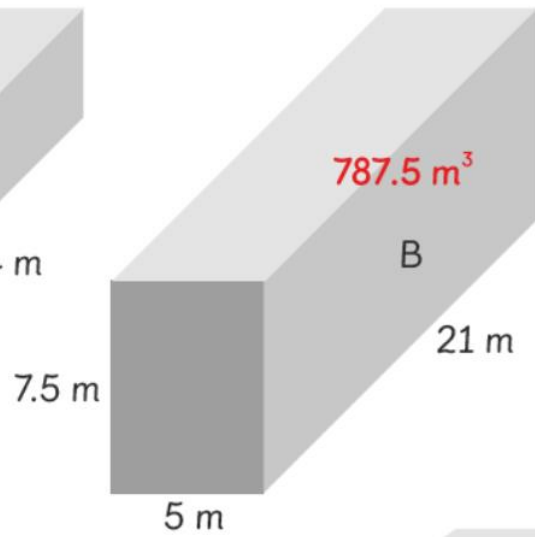
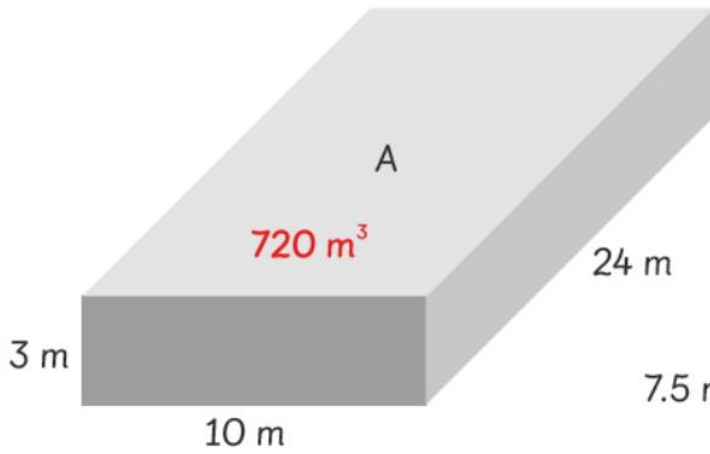
12 m^3

(d)



150 m^3

2 Find the volume of each figure and answer the questions.



(a) Which figure has the greatest volume?

E

(b) Which figure has the smallest volume?

A and F