

## Worksheet 4

### Finding the Area of Triangles

1 Find the area of each triangle.

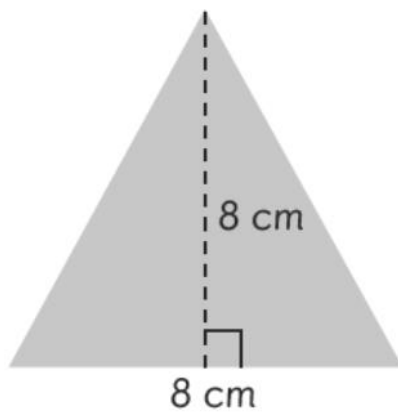
(a)



$$8 \times 9 = 72$$

$$72 \text{ cm}^2$$

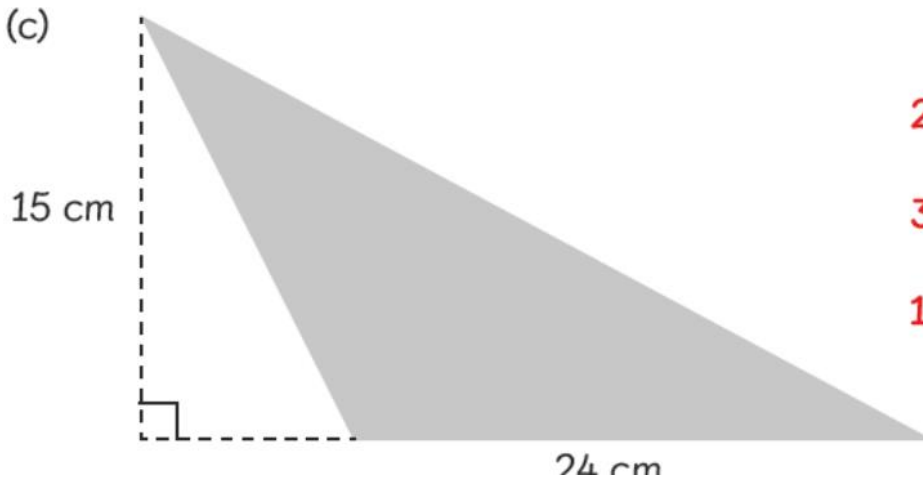
(b)



$$4 \times 8 = 32$$

$$32 \text{ cm}^2$$

(c)

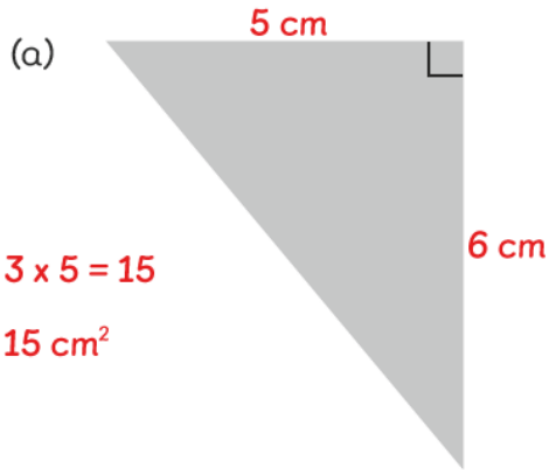


$$24 \times 15 = 360$$

$$360 \div 2 = 180$$

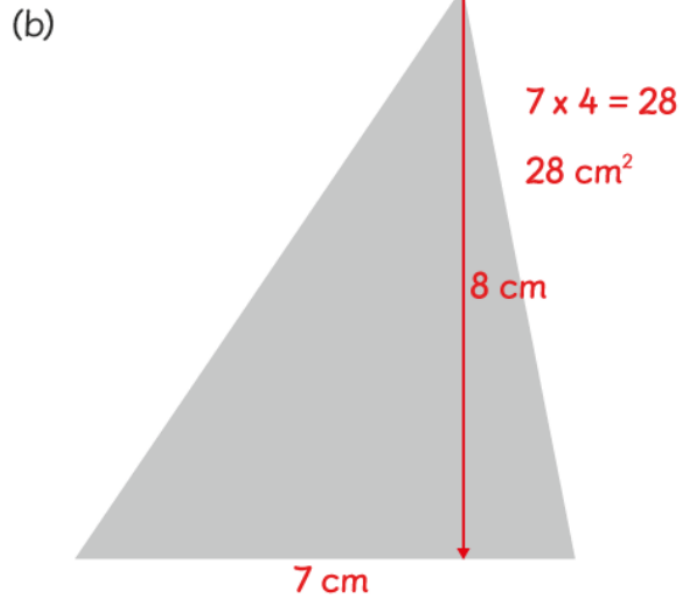
$$180 \text{ cm}^2$$

2 Find the area of each triangle by making the necessary measurements.



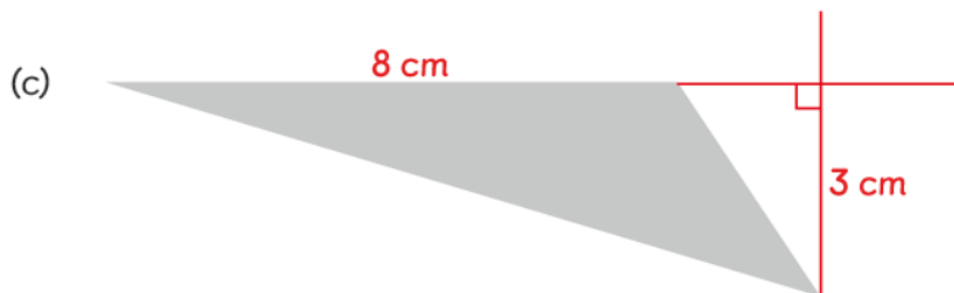
$$3 \times 5 = 15$$

$$15 \text{ cm}^2$$



$$7 \times 4 = 28$$

$$28 \text{ cm}^2$$



$$8 \times 3 = 24$$

$$24 \div 2 = 12$$

$$12 \text{ cm}^2$$