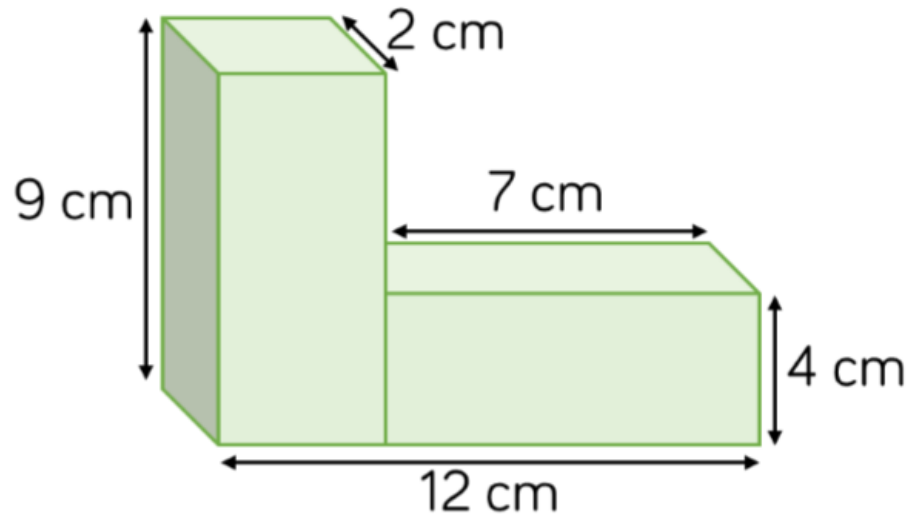


Calculate the volume of the shape.



146 cm³