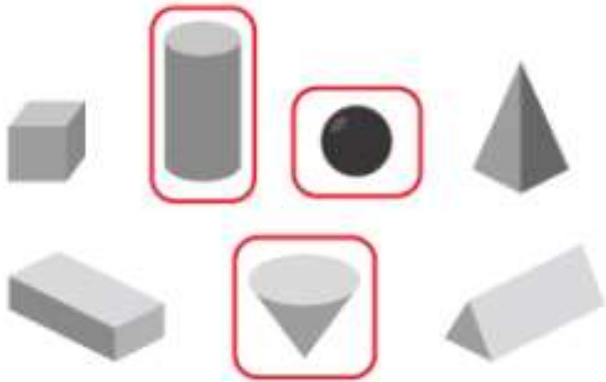


Name: _____ Class: _____ Date: _____

Review 12

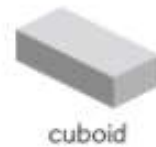
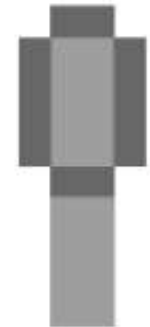
1 Circle the solids that have a curved surface.



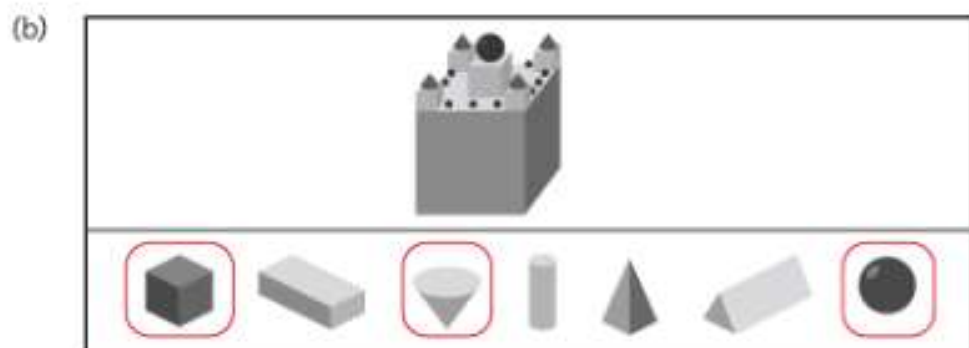
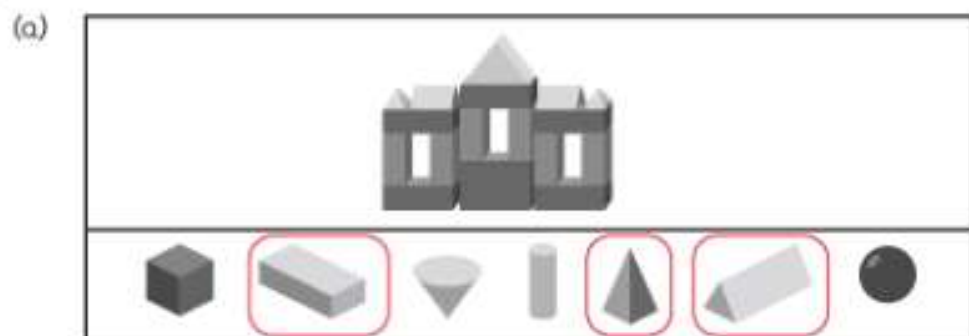
2 Fill in the missing boxes in the table below.

name of solid	number of faces	number of vertices
cube	6	8
pyramid	5	5
cone	2	1
Prism	5	6

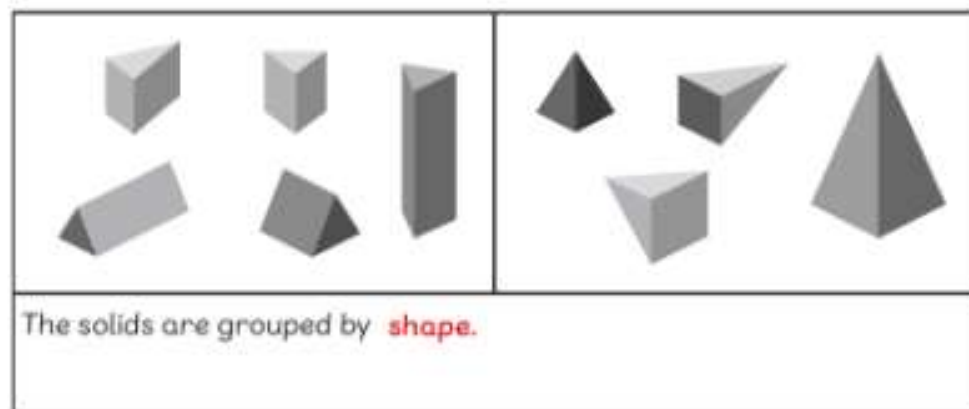
3 Match.



4 Circle the solids that appear in each structure.



5 Describe how the solids are grouped.



What is the missing shape?
Circle the missing shape in each pattern.

