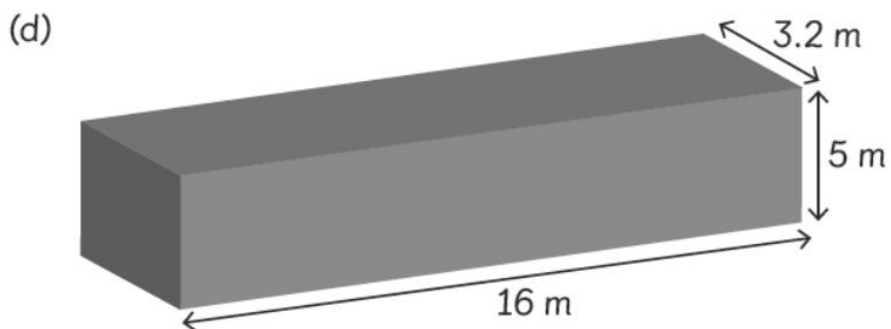
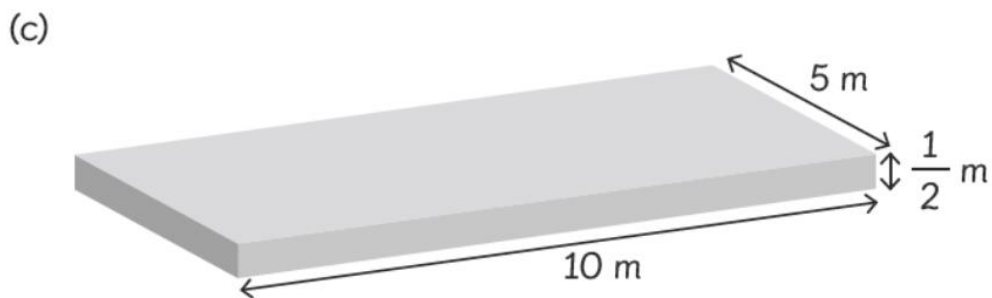
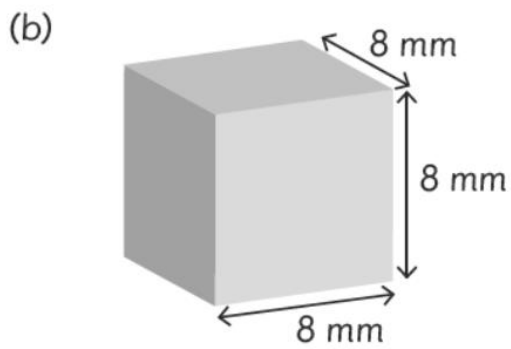
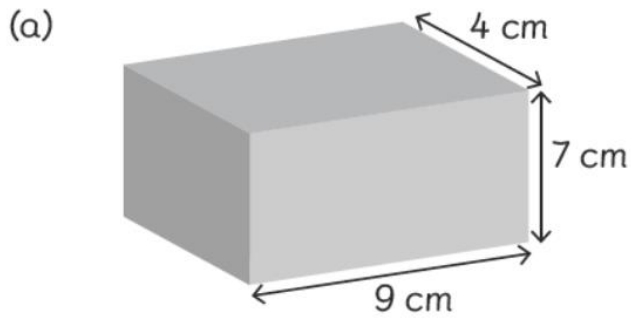
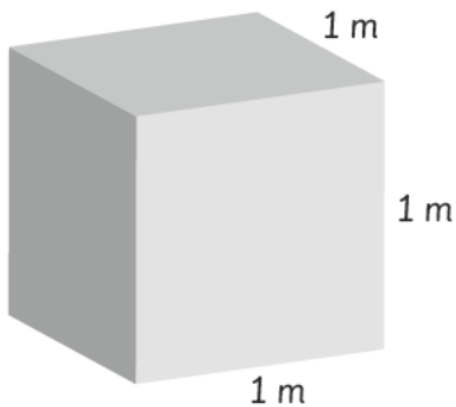


## Review 11

1 Find the volume of each cuboid.



- 2 At a factory, a 1-metre cube of sponge is cut into smaller cubes with 8-cm sides. What is the greatest number of smaller cubes that can be cut from the large sponge cube?



- 3 Find the largest number of 3-cm cubes that can be fitted into the box shown below.

