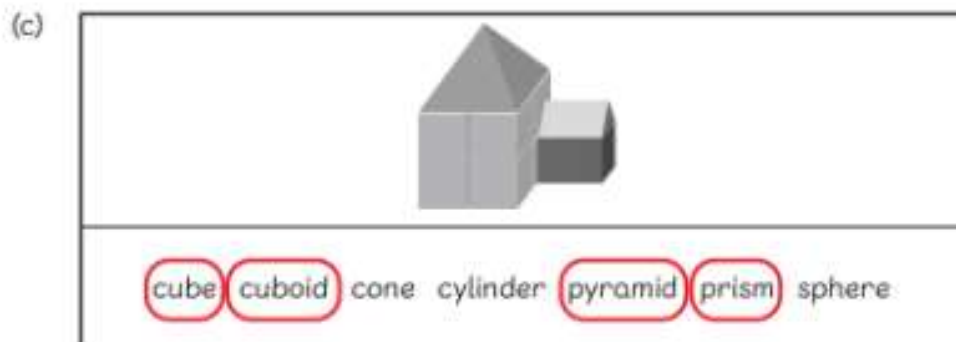
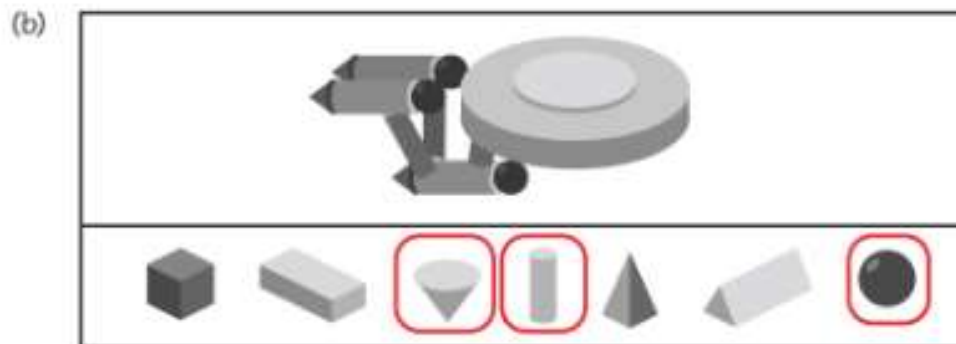
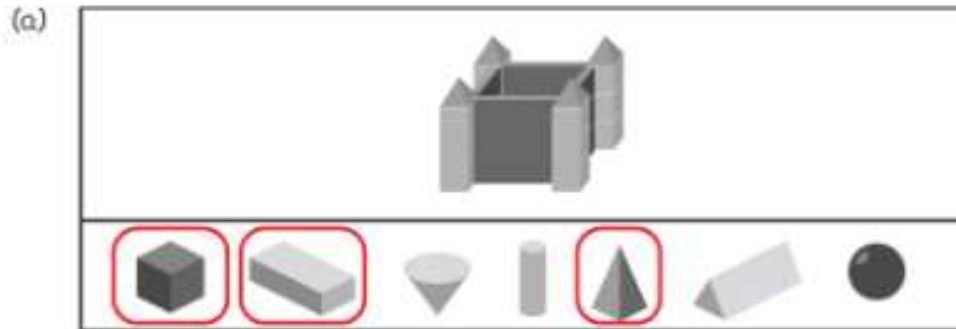


## Worksheet 5

### Forming Three-Dimensional Structures

1 Circle the solids that appear in each structure.



2 Colour the shapes of the structure based on the instructions below.

cube	blue
cuboid	purple
pyramid	yellow
prism	green

cone	red
cylinder	orange
sphere	pink

